

MDT Shutter Actuator 2/4/8-fold, MDRC

MDT Shutter Actuator 1-fold, flush mounted

Version		
JAL-0210.02	Shutter Actuator 2-fold	2SU MDRC, 8A, motors 230VAC up to 300W
JAL-0410.02	Shutter Actuator 4-fold	4SU MDRC, 8A, motors 230VAC up to 300W
JAL-0810.02	Shutter Actuator 8-fold	8SU MDRC, 8A, motors 230VAC up to 300W
JAL-0410M.02	Shutter Actuator 4-fold	4SU MDRC, 8A, motors 230VAC up to 300W, travel time measurement
JAL-0810M.02	Shutter Actuator 8-fold	8SU MDRC, 8A, motors 230VAC up to 300W, travel time measurement
JAL-0410D.02	Shutter Actuator 4-fold	4SU MDRC, 8A, motors 24VDC up to 180W
JAL-0810D.02	Shutter Actuator 8-fold	8SU MDRC, 8A, motors 24VDC up to 180W
JAL-01UP.02	Shutter Actuator 1-fold	Flush mounted, 6A, shutter motors 230VAC up to 300W

The MDT Shutter Actuator receives KNX telegrams and controls up to 8 independent shutter or sunblind drives. Each output uses two monostable relays. The MDRC shutter Actuators can be operated manually via a push button.

The outputs are parameterized individually via ETS. The device provides extensive functions like status response, block functions, central function and positioning shutters, blinds and other hangings. Additionally the device provides up to 8 scenes per channel. After bus voltage failure or recovery the position of the shutter is selected in dependence on the parameterization.

For 24VDC motors it is necessary to use the JAL-0x10D.02 with commutator circuit.

The MRDC Shutter Actuators use a common power supply terminal for two channels. The flush mounted MDT Shutter Actuator has a common power supply terminal. This feature simplifies the wiring and increases clarity of the circuit.

The MDT Shutter Actuator is available as modular installation device and flush mounted device for fixed installation in dry rooms.

For project design and commissioning of the MDT Shutter Actuator it is recommended to use the ETS. Please download the application software at www.mdt.de/Downloads.html

JAL-0210.02



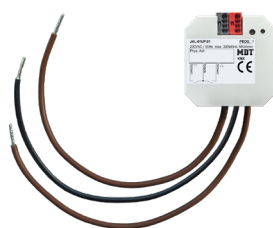
JAL-0810.02



JAL-0410.02



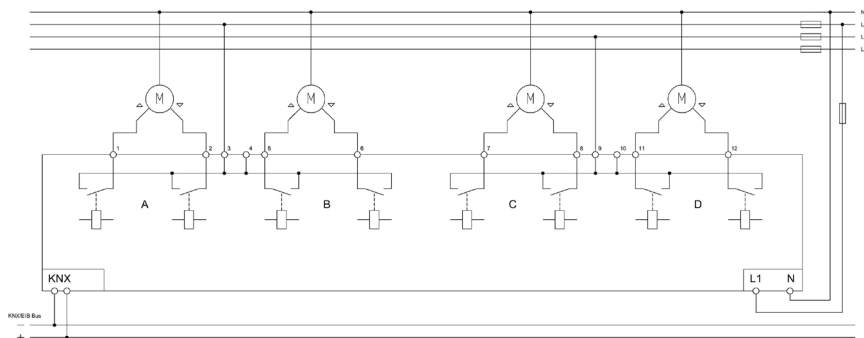
JAL-01UP.02



- Production in Germany, certified according to ISO 9001
- **Comprehensive application**
- **With travel time measurement (JAL-0x10M.02 only)**
- Lockable manual operation and LED indicator for each channel
- Operation mode blind/shutter
- **Practical ventilation function (window open/tilt)**
- **Automatic sun shading/slat adjustment with sun position calculation (exclusive JAL-01UP.02)**
- Travel-, pause-at-change-of-direction and step time adjustable
- Separate travel time for up and down adjustable
- Tip operation for accurate positioning
- Extended 1Bit automatic positions and logical functions
- 1Byte absolute positioning for shutter and blinds
- Alarm, central- and block functions
- Behavior after alarms and locking separately configurable
- Priority/forced operation with automatic release time
- Adjustable behavior in case of bus voltage failure/return (exclusive JAL-01UP.02 und JAL-0210.02)
- Two contacts share one L-connection (MDRC device)
- Common L-connection (UP device)
- 3 years warranty

Technical Data	JAL-0210.02 JAL-0410.02 JAL-0810.02	JAL-0410M.02 JAL-0810M.02	JAL-0410D.02 JAL-0810D.02	JAL-01UP.02
Number of channels	2/4/8	4/8	4/8	1
Output switching ratings per channel				
Ohmic load	8A	8A	8A	6A
Voltage	230VAC	230VAC	24VDC	230VAC
Maximum load per channel				
Shutter motor	300W / 1 motor	300W / 1 motor	180W / 1 motor	300W / 1 motor
Output life expectancy (mechanical)	1.000.000	1.000.000	1.000.000	1.000.000
Maximum fuse per channel	10A	10A	10A	10A
Specification KNX interface	TP-256 with long frame support for ETS5			
Available application software	ETS 4/5	ETS 5	ETS 4/5	ETS 4/5
Permitted wire gauge				
Screw terminal (max. 0,5Nm tightening torque)	0,5 - 4,0mm ² solid core 0,5 - 2,5mm ² finely stranded			
KNX busconnection terminal	0,8mm Ø, solid core	0,8mm Ø, solid core	0,8mm Ø, solid core	0,8mm Ø, solid core
Power Supply	230VAC/50Hz	230VAC/50Hz	230VAC/50Hz	KNX bus
Power consumption KNX bus typ.	< 0,15W	< 0,15W	< 0,15W	< 0,3W
Power consumption mains 230VAC typ.	< 0,3W	< 0,3W	< 0,3W	--
Operation temperature range	0 to + 45°C	0 to + 45°C	0 to + 45°C	0 to + 45°C
Enclosure	IP 20	IP 20	IP 20	IP 20
Dimensions MDRC (Space Units)	2/4/8SU	4/8SU	4/8SU	--
Dimensions UP (W x H x D)	--	--	--	41mm x 41mm x 22mm

Exemplary circuit diagram JAL-0410.02



Exemplary circuit diagram JAL-0410D.02

